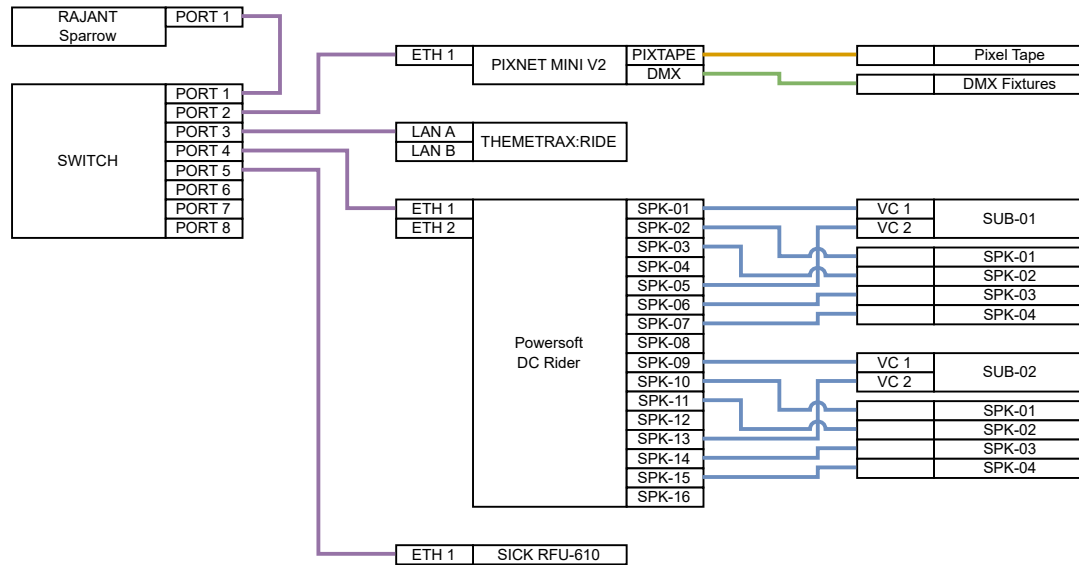
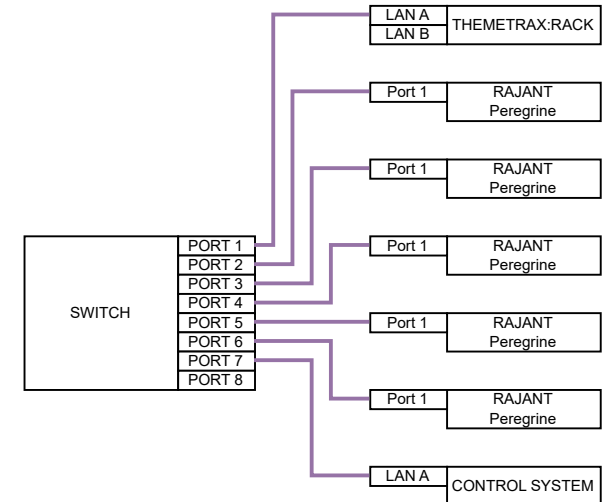


Please note that the Power and Antenna System is not shown for simplicity

Vehicle



Loading Station / Maintenance Bay



Rollercoaster	
PROJECT:	Application Examples
DRAWN BY:	THEMETRAX
DATE:	02 Apr 2026